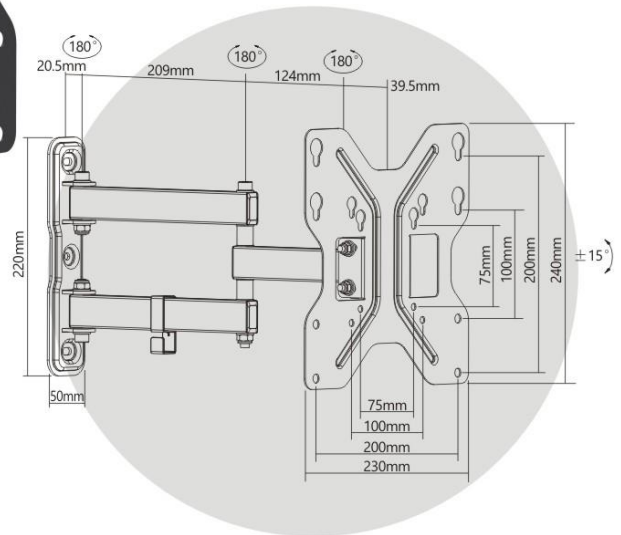
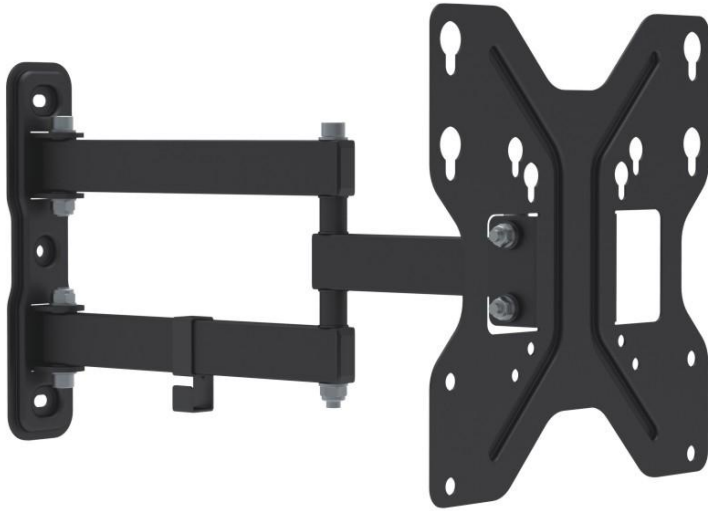


SP-11S



**FULL-MOTION**

MOST **23"-42"**  
MAX.VESA 200x200

rated **30kg/66lbs**

**VESA Compatible**  
75x75 100x100  
200x100 200x200

49-393mm

Three Times  
**Strength Tested**

+15° ~ -15°

±90° ~ -90°

Cable Management

Quick Connect Hole

Model	SP-11S
Recommended Screen Size	<b>23"-42"</b>
VESA Standard	75x75 100x100 200x100 200x200
Max.VESA	<b>200x200</b>
Weight Capacity(screen)	<b>30kg/66lbs</b>
Mounting profile	49-393mm
Anti-theft	NO
Strength tested	3 times approved