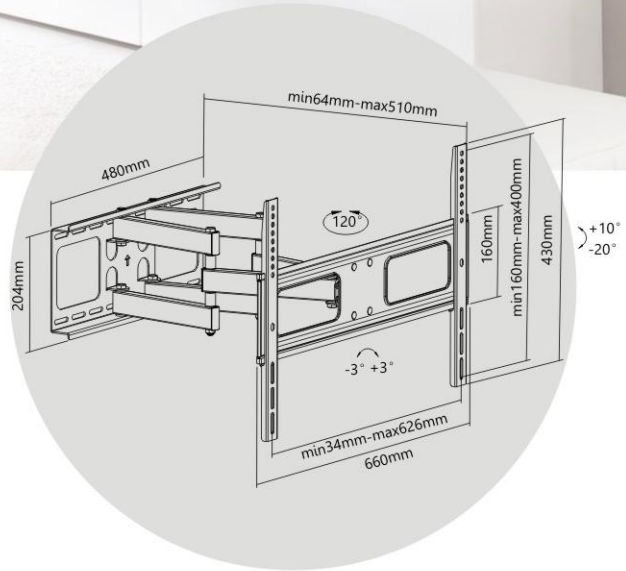


# TV WALL MOUNT

**SuperStar**

**SP-16S**



**[ FULL-MOTION ]**

**37"-70"**  
MOST  
MAX.VESA 600x400

**50kg/110lbs**  
rated

**VESA**  
Compatible  
200x200 400x200 300x300  
400x400 600x400

64-510mm

**Three Times**  
**Strength**  
**Tested**

+3° ~ -3°

+10° ~ -20°

+60° ~ -60°

Direction Indicator

| Model                   | SP-16S                                  |
|-------------------------|---|
| Recommended Screen Size | <b>37"-70"</b>                          |
| VESA Standard           | 200x200 400x200 300x300 400x400 600x400 |
| Max.VESA                | <b>600x400</b>                          |
| Weight Capacity(screen) | <b>50kg/110lbs</b>                      |
| Mounting profile        | 64mm-510mm                              |
| Anti-theft              | NO                                      |
| Strength tested         | 3 times approved                        |